

# PRODUCT DATASHEET

## HB COMP V REFL 133W 80DEG SI

HIGH BAY COMPACT REFLECTOR GEN 1 | Aluminum reflector for HIGHBAY COMPACT luminaires



---

### Product features

- Beam angle: 80°
- High-quality aluminum reflector

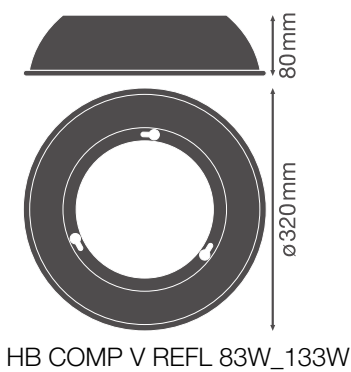
## TECHNICAL DATA

### Photometrical data

Beam angle	80 °
------------	------

### Dimensions & Weight

Diameter	320,0 mm
Height	80.0 mm
Product weight	247.00 g






### Materials & Colors

Product color	Silver
Body material	Aluminum

### Application & Mounting

Replaceable light source	No
--------------------------	----

## DOWNLOAD DATA

Documents and certificates		Document name
	User instruction / safety instructions	UI HighBay Compact V 110D
	Legal information	Informationstext 18 Abs 4 ElektroG
Tender texts		Document name
	Tender documents	HIGH BAY COMPACT REFLECTOR 133W 80DEG SI-EN

## LOGISTICAL DATA

Product code	Packaging unit (Pieces/Unit)	Dimensions (length x width x height)	Gross weight	Volume
4058075715240	Shipping box 2	335 mm x 100 mm x 350 mm	822.00 g	11.73 dm <sup>3</sup>

The mentioned product code describes the smallest quantity unit which can be ordered. One shipping unit can contain one or more single products. When placing an order, for the quantity please enter single or multiples of a shipping unit.

## References / Links

– For Guarantee see [www.ledvance.com/guarantee](http://www.ledvance.com/guarantee)

## DISCLAIMER

Subject to change without notice. Errors and omission excepted. Always make sure to use the most recent release.